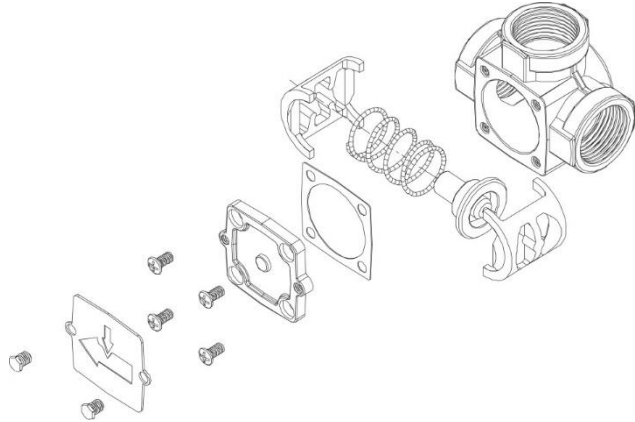


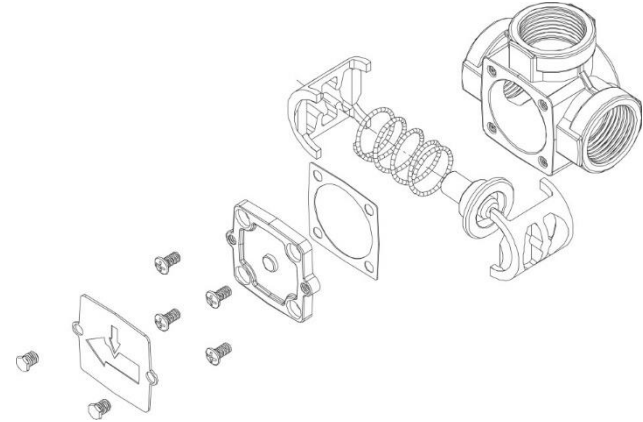
1920055	1920054	1920048	1920053	1920052	1920051
80°C=1456	72°C=8719	66°C=1240	61°C=8743	55°C=8749	45°C=9311

TERMOVAR AF 1980 – 2012 1 x Thermic element
4 x screw M5 x 10
1 x Sealing



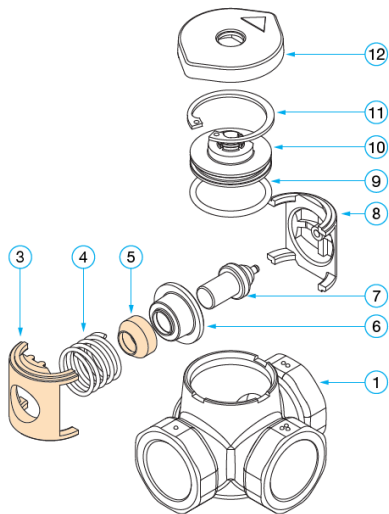
1920055	1920054	1920048	1920053	1920052	1920051
80°C=1456	72°C=8719	66°C=1240	61°C=8743	55°C=8749	45°C=9311

TERMOVAR AF 1980 – 2012 1 x Thermic element
4 x screw M5 x 10
1 x Sealing



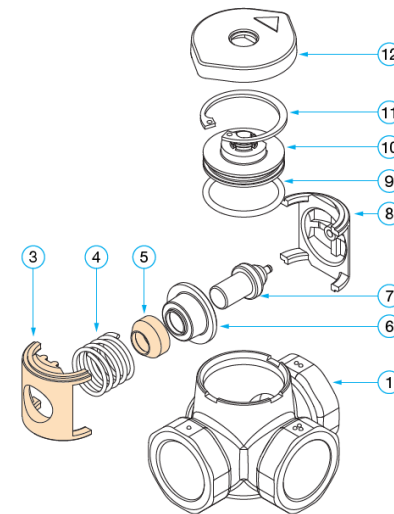
ADV 2012 -

1 x Thermic element (5+6+7)
1 x O-ring 34,2 x 3,0 EPDM (9)
1 x Circlip DIN472 - 40x1,75 (11)



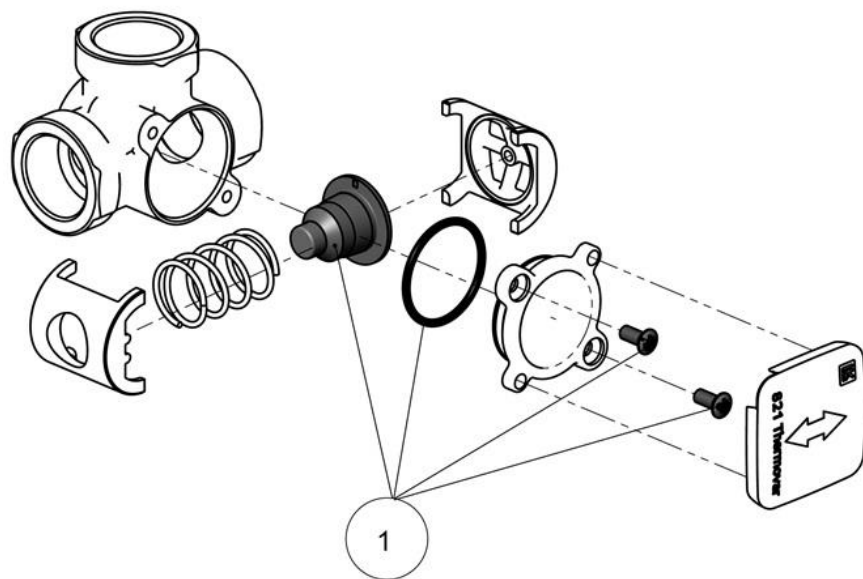
ADV 2012 -

1 x Thermic element (5+6+7)
1 x O-ring 34,2 x 3,0 EPDM (9)
1 x Circlip DIN472 - 40x1,75 (11)



LK821 2010 –

- 1 x Thermic element (1)
- 1 x O-ring 36,17 x 2,62 EPDM (1)
- 2 x Screw M5 x 10 (1)



LK821 2010 –

- 1 x Thermic element (1)
- 1 x O-ring 36,17 x 2,62 EPDM (1)
- 2 x Screw M5 x 10 (1)

