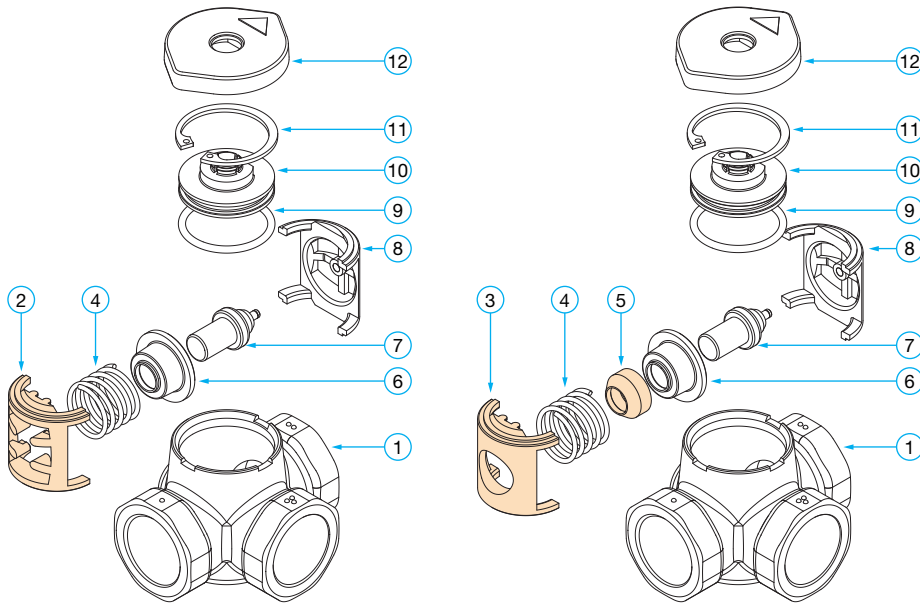


Vexve ALV3 / ADV3

Thermal loading and diverting valves installation and user manual

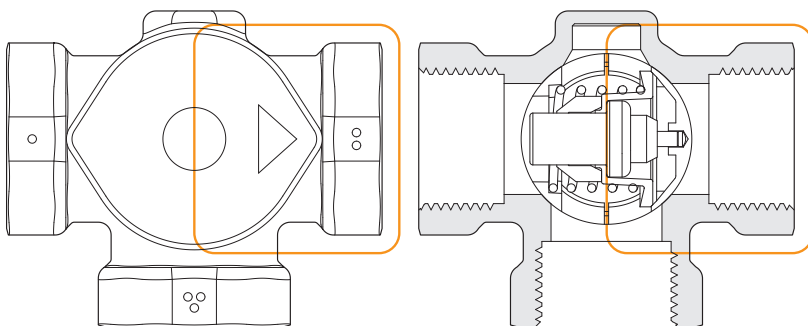


Parts List

Item	Product No.	Title
1	1910050-1910056	Body ALV & ADV valves DN25 female, PN10
2	1920232	ALV segment 2
3	1920238	ADV segment 2
4	1920621	Compression spring 2x25x35
5	1920190	AF bushing. VAR
6	1920230	Thermostatic element disc
7	1920807	Wax element
8	1920231	ALV & ADV segment 1
9	1910060	O-ring 34,2x3,0 EPDM
10	1910058	ALV&ADV pressure sealed cover
11	1910061	Circlip DIN472 - 40x1,75
12	1910059	ALV&ADV cover

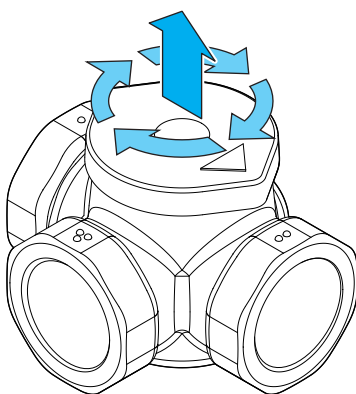
Replacement thermostats, (including parts 6, 7 ja 9), opening temperatures and product numbers.

Temperature °C	45	55	61	72	83	87
Product No.	1920061	1920062	1920063	1920064	1920065	1920071



Construction

- Pointer in section 2
- Pointer shows the inlet port guided by thermostatic cartridge.
- In ALD-model the opposite inletport closes when thermostatic crtridge is fully open (parts 3&5)

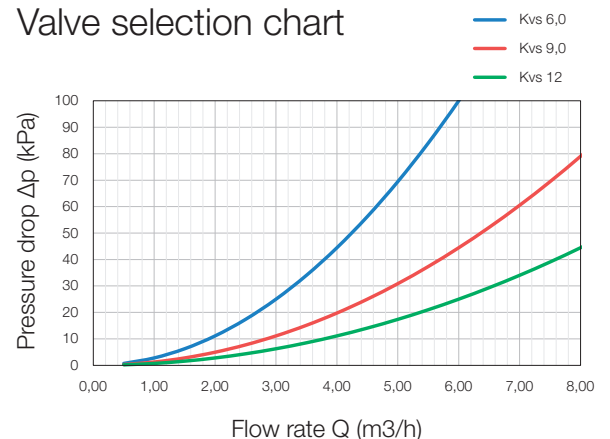


Changing the position of operation:

By slightly lifting the plastic cover (over the fixing nails) You can easily change the position of operation.

No tools are needed to rotate the cover but if You want more torque You can remove upper cover and use 19 mm wrench or spanner. Do not use pliers to avoid breaking the fixing nails.

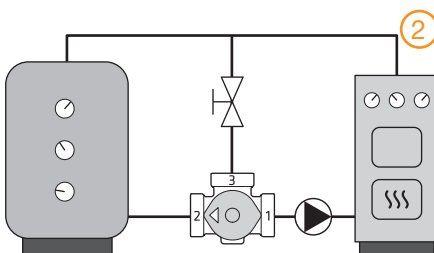
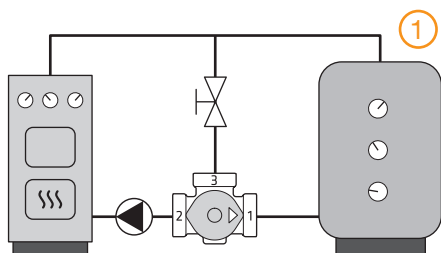
Valve selection chart



Vexve ALV3 / ADV3

Thermal loading and diverting valves installation and user manual

A ALV3 valve



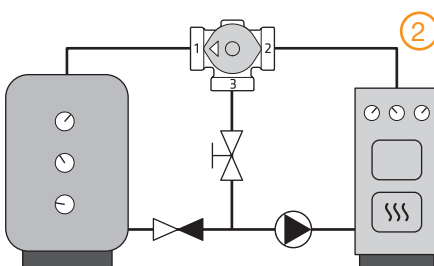
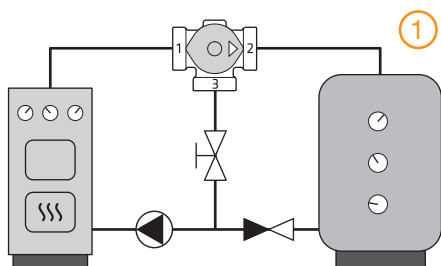
1 Pointer -> 1

2 Pointer -> 2

Closing & balancing valve

Pump

B ALV3 valve



1 Pointer -> 2

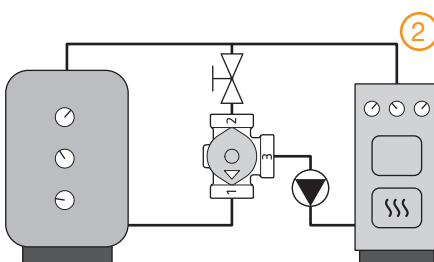
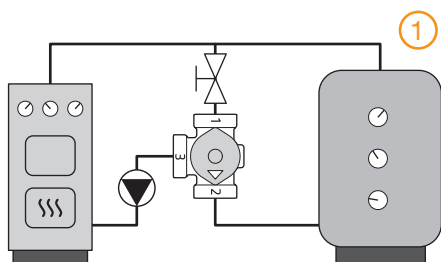
2 Pointer -> 1

Closing & balancing valve

Non-return valve

Pump

C ALV3 valve



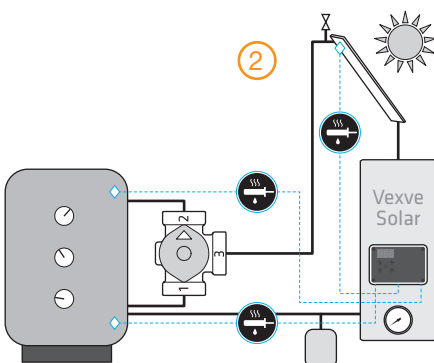
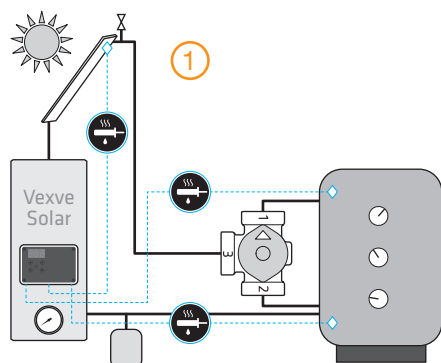
1 Pointer -> 2

2 Pointer -> 1

Closing & balancing valve

Pump

D ADV3 valve



1 Pointer -> 1

2 Pointer -> 2

The breather valve

Supply water sensor